

A METHOD FOR DETERMINING THE THERMOPHYSICAL PROPERTIES OF A CONSTRUCTION OBJECT

Panfilov Stepan Aleksandrovich ^{a*}, Lomshin Mikhail Ivanovich ^b,
Kabanov Oleg Vladimirovich ^a, Sergushina Elena Sergeevna ^b

^a Institute of Electronics and Lighting of the Department of Electronics and Electrical Engineering, 68 Bolshevitskaya street, Ogarev Mordovia State University, Republic of Mordovia, Saransk, 430005, RUSSIA.

^b Faculty of Pre-university Training and Secondary Vocational Education, 68 Bolshevitskaya street, Ogarev Mordovia State University, Saransk, Republic of Mordovia, 430005, RUSSIA.

ARTICLE INFO

Article history:

Received 10 July 2019
Received in revised form 24 October 2019
Accepted 04 November 2019
Available online 29 November 2019

Keywords:

Non-destructive testing method; Heat loss; Thermal conductivity; Specific heat; Know-how.

ABSTRACT

Based on the analysis of the literature, a method was proposed for determining the actual thermophysical properties (thermal conductivity) of an object, according to which a portable automated installation was later developed to determine the thermophysical properties of an object using non-destructive testing using modern means of control and information processing for more a short period of time, non-stationary method. The developed installation is capable of determining the thermophysical properties of an object, as well as the spatial pattern of the distribution of heat flows inside the object, using non-destructive testing.

Disciplinary: Electronic Engineering, Thermal science.

©2020 INT TRANS J ENG MANAG SCI TECH.

1. INTRODUCTION

Thermophysical properties (TPP) determine the discharge of fuel, electricity and materials temperature distributions. The analysis of the existing methods of determining the TPP of the object under study has shown that it is possible to develop an installation that will determine the TPP of the object NDTM using modern means of information handling and processing in a shorter period of time - in a non-stationary way (Ametistov, 2000; Bogoslovsky, 2013; Vavilov, 2009; Vidin et al., 2018; Fokin & Chernyshov, 2004; Kudinov, 2015; Fokin & Kovylin, 2009; Barilovich & Smirnov, 2014; Kabanov et al., 2014; Thermal protection of buildings, 2012). It should be noted that the non-stationary methods of TPP detection are the most promising due to their simplicity and short research time. According to the analysis performed, an algorithm (Malyavina, 2007; Kabanov & Panfilov, 2017) and an installation (Kabanov et al., 2017) were developed for the energy-efficient study of TPP of an NDTM object (Kabanov & Panfilov, 2017; Panfilov & Kabanov, 2016; Kabanov et al., 2016; Panfilov et al., 2019).

observed, the following condition is checked: " $T_{inside} < T_{inside\ the\ specified}$, the current temperature inside the object is higher than the set maintenance temperature", if the condition in 9 is observed, the heat supply is stopped, the ambient temperature reading outside the object under research is recorded in the device memory in 10, and then in 11, a stop is made for a pause in time of the calculation of the installation operation in the active mode for the set maintenance time. The condition is checked in 12: " $t_1 > t_2$, research time is exceeded or equal to the set research time", if it is performed, then in 13 the condition is checked: " $T_{inside} < T_{inside\ the\ specified}$, the current temperature inside the object is less than the set maintenance temperature" when it is performed - return to 4, if it is not performed in 9, when the conditions in one of the blocks 7 or 12 are reached, the algorithm passes to block 14, where the calculation of the installation time is stopped in the active mode. The ambient temperature reading is recorded in 15 outside the tested object to the device memory, in 16 the required values are calculated, and in 17 data output.

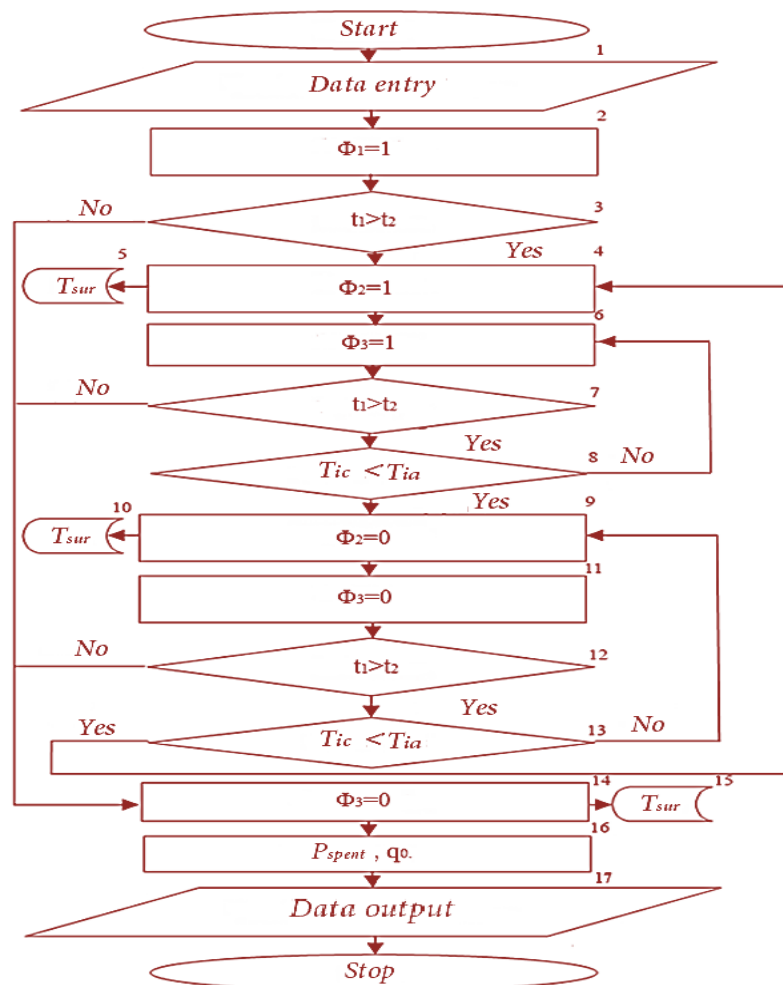


Figure 2: Block diagram of the algorithm for determining the TPP object

3. MATHEMATICAL MODELING

The needed mathematical formulas to determine the required values for the experiment are given below.

Average ambient temperature during the survey:

$$\bar{T}_{surrounding} = \frac{\sum T_{surroundingi}}{n} \quad (1),$$

where $T_{\text{surrounding}_i}$ is the ambient temperature at the “i” moment of the study.

n - quantitative $T_{\text{surrounding}}$ readings during the study.

Average P_{spent} power consumption to maintain the set temperature during the survey (W):

$$P_{\text{spent}} = P_{\text{source}} \cdot \frac{t_{\text{work}}}{t_{\text{maintenance}}} \quad (2)$$

where P_{source} - rated power of a heat supply source, t_{work} - time of active operation of a heat supply source, $t_{\text{maintenance}}$ - set time of maintenance of the set temperature T_B .

The ratio [28] is available from references:

$$q_0 V (T_{\text{inside}} - T_{\text{surrounding}}) = P_{\text{spent}} \quad (3)$$

where q_0 is the specific thermal characteristic of the object $W/(m^3 \cdot ^\circ C)$;

Specific thermal characteristics of the object:

$$q_0 = \frac{P_{\text{spent}}}{V \cdot (T_{\text{inside}} - \bar{T}_{\text{surrounding}})} \quad (4)$$

To determine the required capacity of the heat supply system to maintain the optimal temperature inside the facility, considering the coldest five-day period:

$$P_{\text{source}} = q_0 V (T_{\text{within nominal}} - T_{\text{average ambient}}) \quad (5),$$

where T_{Bn} - is the optimal air temperature inside, according to the normative papers for this type of facilities; T_{Okrn} - is the average ambient temperature, considering the coldest five-day period for this location, as determined by the normative documents; P_{ucm} is the power of the heat supply source to maintain the optimal temperature inside the facility.

4. RESULT AND DISCUSSION

Based on the analysis of the literature presented in this article, a method was proposed for determining the actual thermophysical properties of an object, according to which a portable automated installation was later developed to determine the thermophysical properties of an object using non-destructive testing using modern means of control and information processing for more a short period of time - non-stationary way. The installation on the basis of the carried-out analysis and theoretical data to determine the TPP of the object under study. Figure 3 represents a block diagram of the installation.

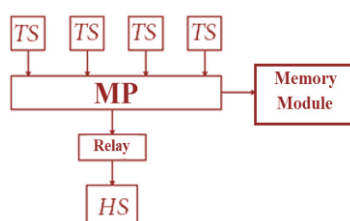


Figure 3: Block diagram of mobile installation for TPP detection.

Figure 4 provides a schematic diagram of the mobile automatic installation running on the Arduino Mega 2560 microcontroller. It should be noted that the Arduino MEGA 2560 is designed for projects that require more I/O lines, more sketch memory and more RAM.

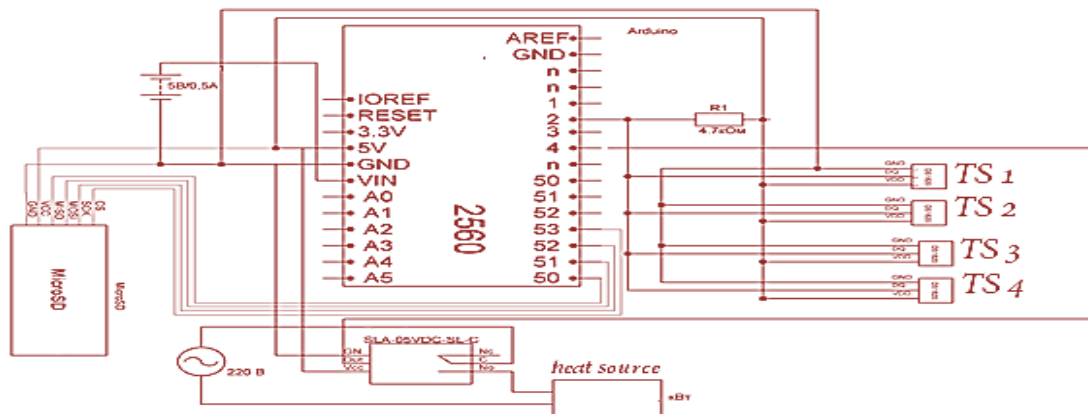


Figure 4. Schematic diagram of the portable automated installation to determine the FPS of the object

The code for the mobile automated system control program is written in the C++ programming language (Kabanov et al., 2018). We also used the complex assembled on the programmable relay PR200. The schematic diagram of the portable automated installation working on the programmable relay PR200 is provided in Figure 5.

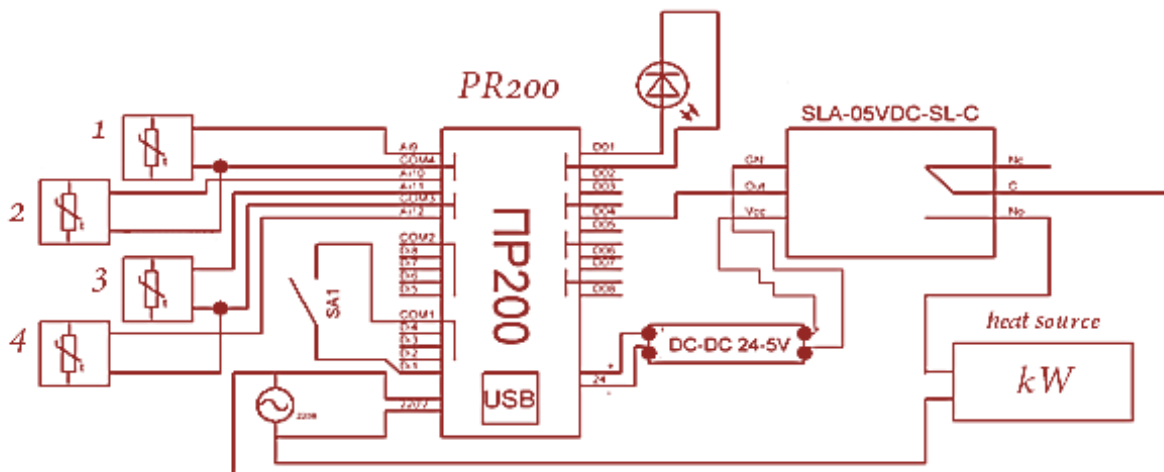


Figure 5: Schematic circuit diagram of mobile automated installation on programmable relay PR200.

The control program code developed in the Owen Logic programming environment to be used for controlling the mobile automated installation with the PR200 programmable relay (Panfilov et al., 2016) is provided in Figure 6.

It works in the following way: setting the necessary values - the time of examination, temperature maintaining period inside the examined object. After entering the necessary data the installation set in the running mode compares the obtained temperature readings inside the object, then checks the required condition to fulfill the task, once all the conditions are reached, the installation completes the process, and according to the resulting data we estimate the TPP of the object of study. The designed model of the automated mobile installation to define the valid FPS of the construction object is provided in Figure 7.

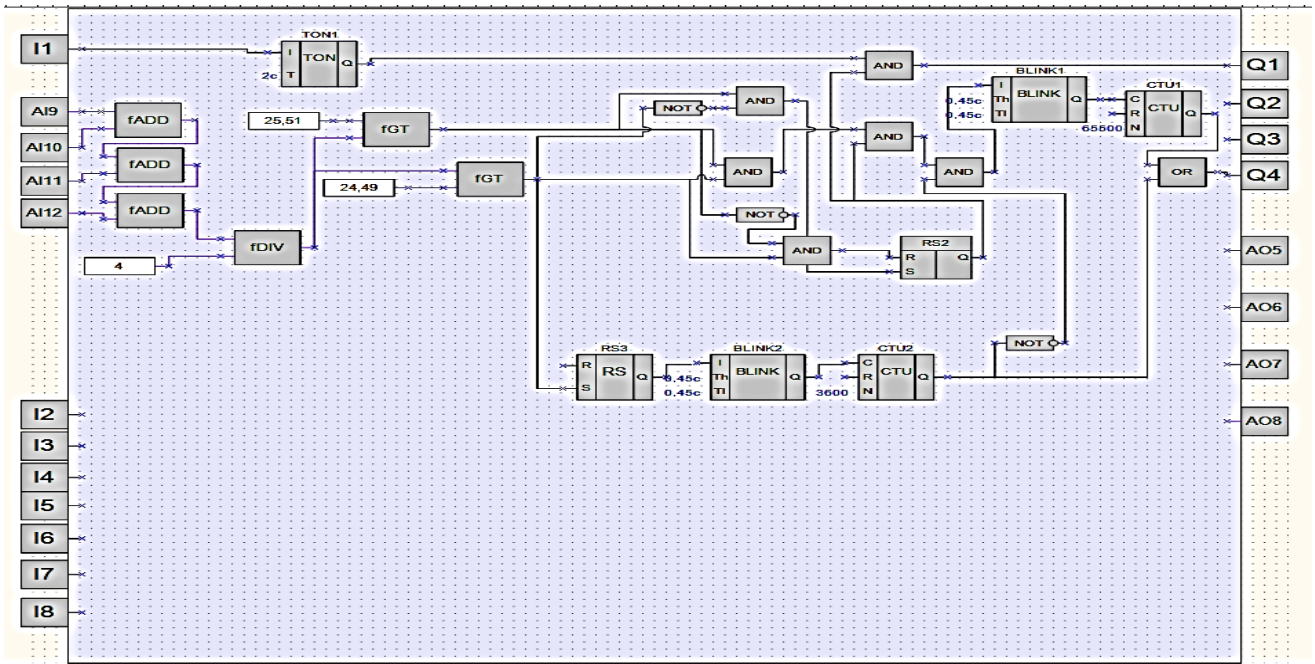


Figure 6: The program for implementing actions algorithm to control automated mobile installation



Figure 7: Mobile automated installation for the TPP defining

The heat source controller module is provided in Figure 8. The heat source controller is connected to the heat source machine control device on the heat source side and to the load equipment side.

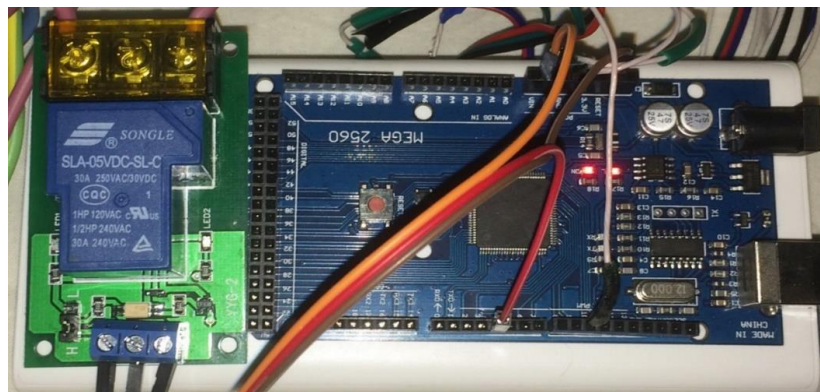


Figure 8: The heat source controller module.

The heat source controller module is designed as an Arduino Mega 2560 unit on the basis of an ATmega2560 microcontroller. The DS18D20 temperature sensors, the SLA-05VDC-SL-C relay, and the TF Cardreader module are integrated into the microcontroller via the connection wires to save the data obtained during the experimental study. The equipment is presented in Figure 9.

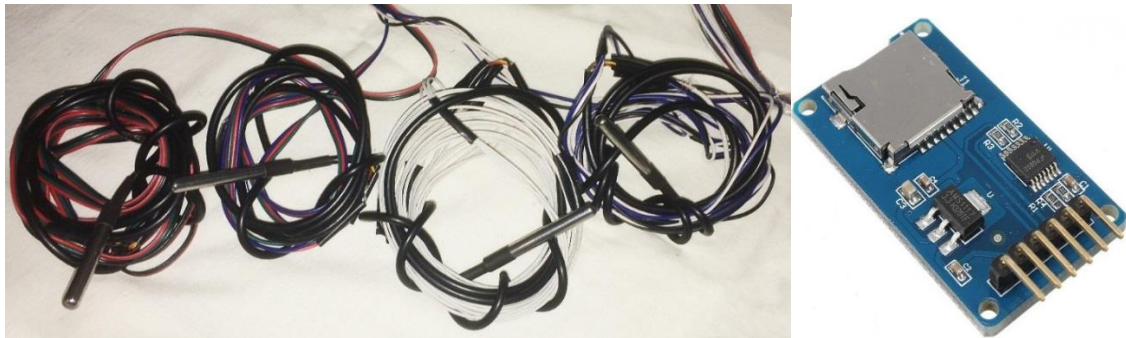


Figure 9: Temperature sensors DS18D20 and TF Cardreader.

Figure 9 shows the temperature sensors DS18D20 which are configured to work with maximum accuracy (tenths of a degree), the effective value is averaged by 10 measurements, which allows you to accurately track temperature changes. The module shown in Figure 10 was designed to estimate the ambient temperature and save the obtained values.

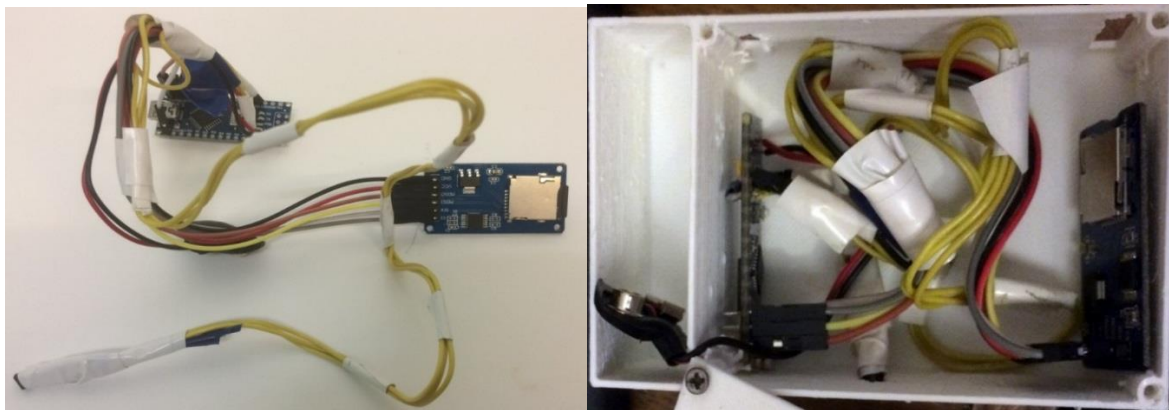


Figure 10: Module for ambient temperature measurement on the outer side of the object of study

It should be mentioned that the ambient temperature is measured with a thermometer while room temperature is based more on feeling. The ambient temperature of an environment may vary greatly from its accepted room temperature, such as when an air conditioner or heater malfunctions. Figure 11 shows the schematic circuit diagram of the ambient temperature measurement module.

The code of the ambient temperature module control program is provided in (Kabanov et al., 2018). It should be mentioned that the ambient temperature measurement module comprises an ArduinoNano 3.0 microcontroller (ATmega328), a DS1820 temperature sensor that connects to the microcontroller, and a TF Cardreader module for recording and storing the data obtained in the experiment (Panfilov & Kabanov, 2017).

The Wi-Fi module shown in Figure 12 was also used as a module for recording ambient temperature readings for objects with large overall dimensions.

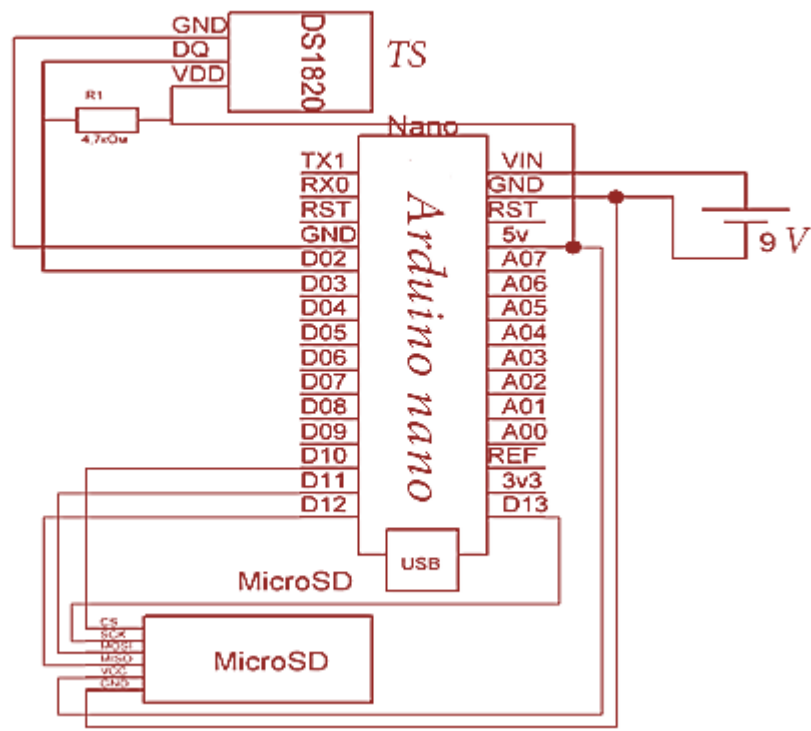


Figure 11: Schematic circuit diagram of the ambient temperature measurement module

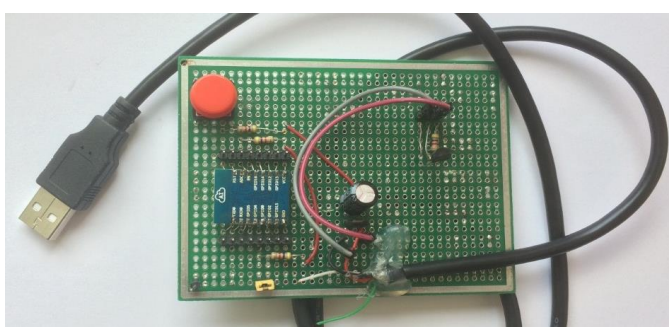


Figure 12: The WiFi module to measure the ambient temperature with input to Mega 2560

Previous technical data (TD) lists have enclosed thermal features for numerous materials that are used to the packaging of electronics. The TD for the mentioned subject is broader in the area and addresses commonly used materials. Understanding of heat capacity and thermal conductivity (THC) of things that used to create or support a test set is required to understand the consequences.

Table 1: Construction Material Thermal Properties at Room Temperature (Incropera et al. 1996; Wilson 2008).

Material	THC	Specific Heat	Density
Concrete – cast dense	0.4	1000	1200
Concrete – cast light	1.4	840	2100
Brick	0.7	840	1600
Glass (window)	0.8	880	2700
Granite	1.7-3.9	820	2600
Hardwoods (oak)	0.16	1250	720
Softwoods (pine)	0.12	1350	510
Polyvinyl chloride	0.12–0.25	1250	1400
Acoustic Tile	0.06	1340	290
Paper	0.04	1300	930
Particle board (low density)	0.08	1300	590
Particle board (high density)	0.17	1300	1000
Fiberglass	0.04	700	150

Table 1, some famous materials and their thermal features were listed. It should also be mentioned that some materials absorb water and for this reason, their features are changed. For instance, the THC of some materials such as wood may increase by 15% when wet. Some materials which used as insulators that rely on air, such as fiberglass blankets, exhibit a greater change in features when wet. It is worth noting that the range of THCs for these materials is rather modest (about two orders of magnitude).

Table 2, calculated values of THC and specific heat properties by the proposed method were provided for listed materials in Table 1.

Table 2: Calculated values construction Material Thermal Properties at Room Temperature.

Material	THC	Specific Heat
Concrete – cast dense	0.46	1125
Concrete – cast light	1.24	983
Brick	0.63	837
Glass (window)	0.91	964
Granite	2.37	796
Hardwoods (oak)	0.21	1421
Softwoods (pine)	0.14	1596
Polyvinyl chloride	0.24	1190
Acoustic Tile	0.05	1254
Paper	0.06	1470
Particle board (low density)	0.10	1364
Particle board (high density)	0.21	1404
Fiberglass	0.04	805

By comparing Tables 1 and 2, it can be seen that the proposed model has a good efficiency for calculating the thermophysical properties of an object. The developed installation is capable of determining the thermophysical properties of an object, as well as the spatial pattern of the distribution of heat flows inside the object, using non-destructive testing.

5. CONCLUSION

It is composed of a breadboard mock-up board, a DS18D20 temperature sensor coupled via connecting wires and passive electrical circuit elements (resistors and capacitors) onto the ESP8266 chip to transmit readings to the Arduino Mega 2560 microcontroller and other equipment fitted with a Wi-Fi signal receiver.

The INTERSKOL TP-5 mobile automated installation for detecting the object's FPS data on the basis of the heat source has the following specifications:

- defines the effective heat loss by nondestructive testing;
- power supply parameters of the plant $220 \pm 10\%$ V, frequency of power supply network 50 Hz;
- thermal capacity from 3 kW to 5 kW;
- designed specifically for indoor research up to 400 m³;
- continuous-time of research for up to 24 hours;
- measurement error $\pm 3\%$.

The main outcome of the study is introducing a procedure to determine the thermophysical property of the mechanical system using nondestructive methods. In this regard, a code using C++ language has been written for the mobile automated system. It works in setting the necessary values -

the time of examination, temperature maintaining period inside the examined object.

6. REFERENCES

- Ametistov, E. B. (2000). Fundamentals of heat exchange theory. Method of the non-destructive control of the thermal-physical properties of the materials. *Publishing house: Moscow Energy Institute*, 242 c.
- Barilovich, V. A., & Smirnov, Yu. A. (2014). Fundamentals of the technical thermodynamics and the theory of heat and mass transfer: Teaching guide. Moscow: INFRA-M Research and Publishing Center, 432 p.
- Bogoslovsky, V. N. (2013). Construction Thermophysics (Thermophysical Basics of Heating, Ventilation, and Air Conditioning): Textbook for Higher Education Institutions. *Publishing house: Book on Requirement*, 416 p.
- Fokin, V. M., & Chernyshov, V. N. (2004). Non-destructive control of the thermal-physical characteristics of the building materials. Moscow: Publishing house: Machine-building-1, 211 p.
- Fokin, V. M., & Kovylin, A. V. (2009). Theoretical bases for the determination of the thermal conductivity, volume heat capacity and thermal conductivity of the materials on the thermal measurements on the surface by the nondestructive control method (in Russian). *Vestnik Volgograd State University of Architecture and Civil Engineering*. Edition "Construction and architecture", 14(33), 123-127.
- Incropera, F. P., Dewitt, D. P., Bergman, T. L., & Lavine, A. S. (1996). Introduction to Heat Transfer, John Wiley & Sons.
- Kabanov, O. V., & Panfilov, S. A. (2017). Algorithm of operation of the automated plant to determine the thermal and physical properties of objects. *Modern scientific research and innovation*, 2, 75–81.
- Kabanov, O. V., & Panfilov, S. A. (2017). Method of a Building Object Thermophysical Property Determination. *Journal of Engineering and Applied Science*, 12(11), 9056-9060.
- Kabanov, O. V., Khremkin, A. S., & Panfilov, S. A. (2017). Patent No. 2637385. Russian Federation. IPC G01N 25/72. Portable automated complex for the determination of the thermal-physical properties. Bul. No. 34.
- Kabanov, O. V., Panfilov, S. A., & Khremkin, A. S. (2016). Method for determination of the thermal properties of the construction objects. *Vestnik East-Siberian State University of Technology and Management*, 5(62), 49-57.
- Kabanov, O. V., Panfilov, S. A., Khremkin, A. S., & Bobrov, M. A. (2014). Development of the method for determination of the thermal physical properties of the object. *Journal of Science and Technology Vestnik of the Volga Region*, 5, 253–256.
- Kabanov, O.V., Yazovtseva, O. S., & Panfilov, S. A. (2018). Patent No. 2018613711. Russian Federation. IPC G01N 25/18. Program for the automated control system of the object thermal mode.
- Kudinov, A. A. (2015). Heat and mass exchange: Training guide. Moscow: INFRA-M Research and Publishing Center, 375 p.
- Malyavina, E. G. (2007). Heat Loss of the Building: A Reference Book.
- Panfilov, S. A., & Kabanov, O. V. (2016). Determination of thermal-physical properties of facilities. *Journal of Engineering and Applied Science*, 11(13), 2925-2929.
- Panfilov, S. A., & Kabanov, O. V. (2017). Method for determination of the real heat losses of the existing construction objects. *Vestnik South Ural State University. Construction and architecture" series*, 4, 52–61
- Panfilov, S. A., Kabanov, O. V., & Khryomkin, A. S. (2016). Patent No. 2016612034. Russian Federation. at. 2016612034 Russian Federation. Program for the system of the automated determination of the thermal-physical properties of the investigated object.
- Panfilov, S. A., Lomshin M.I., Sergushina, E.S., Kabanov, O.V. (2019). An Analytical Review of Methods for Determining Heat Loss of a Building Object. *International Transaction Journal of Engineering, Management, & Applied Sciences & Technologies*. 10(16), 10A16M: 1-12.

Thermal protection of buildings, (2012). Construction Directives and Rules 50.13330.2012 updated version instead of Thermal protection of buildings. Construction Directives and Rules (23-02-2003).

Vavilov, V. P. (2009). Infrared thermography and thermal control. Moscow: Spectrum, 544 p.

Vidin, Yu. V., Ivanov, V. V., & Kazakov, R. V. (2018). Engineering methods of calculation of heat exchange problems [Text]: monograph. Moscow: INFRA-M Research and Publishing Center; Krasnoyarsk: Siberian Federal University, 166 p.

Wilson, J. (2008). Thermal Properties of Building Materials, Electronics-Cooling, <http://www.electronics-cooling.com/2008/02/thermal-properties-of-building-materials>



Professor Dr. Panfilov Stepan Aleksandrovich is Professor of Ogarev Mordovia State University, Republic of Mordovia, Saransk, Russia. He has a Doctor of Technical Sciences degree. His research interests include Process Automation, Quality Management.



Professor Dr. Lomshin Mikhail Ivanovich is Professor of Ogarev Mordovia State University, Republic of Mordovia, Saransk, Russia. He graduated with a Ph.D. degree in Philology and a Doctor of Pedagogical Sciences degree from the Faculty of Philology of Mordovia University. His research encompasses Scientific and Methodological Foundations for Improving Modern Literary Education in National Groups of Higher Education.



Kabanov Oleg Vladimirovich is an Engineer at Ogarev Mordovia State University, Republic of Mordovia, Saransk, Russia. His research is Energy-Saving Systems, Automated Control Systems.



Sergushina Elena Sergeevna is Chairman of the All-Russian Center for Higher Education and Research (Department) of General Professional and Special (economic) Disciplines, and Deputy Dean for Research, Ogarev Mordovia State University, Republic of Mordovia, Saransk, Russia. Her research is related to Basic Economic Sciences.
