



Full Selectivity of Automatic Breakers Cascading in 0.4 kV Networks

Mikhail A. Pronin¹, Ekaterina V. Churkina^{2*}, Anton V. Rychkov²

¹ Department of Electric Power Supply of Industrial Enterprises and Electrotechnologies, Moscow Power Engineering Institute, Moscow, RUSSIA.

² Department of Electrical Equipment, Lipetsk State Technical University, Lipetsk, RUSSIA.

Corresponding Author (Tel: +7(905)0433720, Email: ekas2534@yandex.ru).

Paper ID: 12A6E

Volume 12 Issue 6

Received 08 January 2021

Received in revised form 10
March 2021

Accepted 19 March 2021

Available online 01 April 2021

Keywords:

Automatic breaker (AB);

Breaker selection; Time-
current characteristic;

Response sequence; Quick
fuse (QF); DIN Rail.

Abstract

The article deals with the issue of determining the regularity of the selection of selective switches. To solve this problem, the object of research is single-module automatic breakers with different characteristics and numbers, which are installed on a DIN Rail. The results of the work allow us to make such a selection of automatic breakers that can ensure guaranteed disconnection of the automatic breaker of the head section when an overcurrent flows through one of the branches, as is also identify a damaged branch of the distribution network.

Disciplinary: Electrical Engineering and Technology.

©2021 INT TRANS J ENG MANAG SCI TECH.

Cite This Article:

Pronin, M. A., Churkina, E. V., and Rychkov, A. V. (2021). Full Selectivity of Automatic Breakers Cassading in 0.4 kV Networks. *International Transaction Journal of Engineering, Management, & Applied Sciences & Technologies*, 12(6), 12A6E, 1-7. <http://TUENGR.COM/V12/12A6E.pdf> DOI: 10.14456/ITJEMAST.2021.110

1 Introduction

The solution of the design issues of the lighting system and power networks (EOM) of the apartment, as well as non-residential premises, includes aspects of the design of electrical equipment placed in the switchboard. In particular, the choice of automatic breakers (AB) (or the function for switching off overcurrent by differential breakers) at the head sections and at the branches is considered. If a short circuit occurs on one of the branches, it is necessary that the AB of the emergency branch is turned off, and not the head section, since this will lead to the shutdown of the entire distribution network. If the AB is switched off in the head section, it will be difficult to determine which

branch the short circuit occurred on. Therefore, the selection of automatic breakers, taking into account the selectivity factor, allows us to:

- ensure the guaranteed failure of the head section automatic breaker when an overcurrent flows through one of the branches;
- identify the damaged branch of the distribution network.

2 Literature Review

The object of research is automatic breakers (single-module, DIN-Rail mounted) (Figure 1a, 1b) [1, 2]. The initial data of the study is the technical data on the switches, including their characteristics and nominal values.

The subject of the study is the regularities of the selection of selective switches.

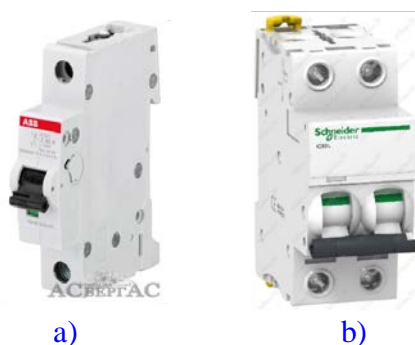


Figure 1: Automatic breakers.
 A – a single-module AB with a response characteristic of Z [1];
 B – a two-module AB with characteristic L [2].

According to sources [3-9], the characteristics of automatic breakers A, B, C, D, Z, L, K have the following limits of the ranges of operation of both thermal and electromagnetic decouplers (Table 1).

Table 1: Values of the multiplicity of actuation currents of electromagnetic and thermal disconnectors

Electromagnetic			Thermal (1 hour of operation)		
Lower limit	Characteristics	Upper limit	Lower limit	Characteristics	Upper limit
$2I_{nom}$	A [6, 7, 8]	$3I_{nom}$	$1,3I_{nom}$	A [7]	-
$3I_{nom}$	B [3, 4, 5]	$5I_{nom}$	$1,13I_{nom}$	B [3, 4, 5]	$1,45I_{nom}$
$5I_{nom}$	C [3, 4, 5]	$10I_{nom}$	$1,13I_{nom}$	C [3, 4, 5]	$1,45I_{nom}$
$10I_{nom}$	D [3, 4, 5]	$20I_{nom}$	$1,13I_{nom}$	D [3, 4, 5]	$1,45I_{nom}$
$3I_{nom}$	Z [4, 5]	$5I_{nom}$	$1,05I_{nom}$	Z [4, 5]	$1,2I_{nom}$
$5I_{nom}$	L [6]	$10I_{nom}$	$1,05I_{nom}$	L [6]	$1,2I_{nom}$
$10I_{nom}$	K [4, 5]	$14I_{nom}$	$1,05I_{nom}$	K [4, 5]	$1,2I_{nom}$

Another parameter to be considered in this study is the value of the rated current. A number of rated currents are normalized according to the current standard GOST R 50345-2010 [3]: 6, 8, 10, 13, 16, 20, 25, 32, 40, 50, 63, 80, 100, 125 A.

In practice, a number of these values are actually used. For example, there are automatic breakers with nominal values available on the market [10]: 6, 8, 10, 13, 16, 20, 25, 32, 40, 50, 63, 80, 100, 125 A. Thus, all the values of the current series are the same, which means that the AB manufacturers do not deviate from the standard [3] when choosing the values of the rated current of automatic breakers.

3 Method

The concept of "full selectivity" of automatic breakers is associated with the unambiguous understanding that one and only one AB will work at a given current value at a certain time.

As a rule, the sequence of operation of series-connected automatic breakers (fig. 2) is as follows:

- QF31 is triggered first;
- then QF21 is triggered;
- QF1 is triggered last.

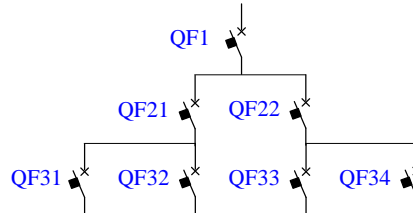


Figure 2: Automatic breakers connection diagram

Fully selective Automatic breakers are considered to be those whose time-current characteristics (VTC) do not overlap. If the VTC of the lower-level device is higher than the VTC of the head unit, then the sequence of operation will be reversed, which will lead to the disconnection of the entire network and all consumers at once.

The selectivity calculation is necessary for a situation where there are AVS of different ratings and/or different characteristics in the automatic. Based on the results of the calculations, you can determine whether there will be an intersection of the VTH devices or not. That is, we can clearly and unambiguously identify the time intervals during which the sequentially activated automata will work, and say in what order.

However, in addition to the concept of full selectivity (when the VTC devices do not intersect), there is the concept of partial selectivity (VTC intersect and the concept of coordination current is introduced). Also, selectivity can be provided by changing the "current" or "time". Based on the sources [3, 10, 11], Table 2 is compiled with the types of selectivity.

Table 2: Types protection selectivity

Selectivity type	Implementation on the time-current characteristic	Selectivity type	Implementation on the time-current characteristic
Current selectivity	<p>The graph shows two curves for devices D2 and D1. The x-axis is current (I) and the y-axis is time (t). Vertical dashed lines mark currents I_{r2}, I_{r1}, I_{sd2}, I_{sd1}, and I_{br}. A shaded region between the curves is labeled 'Selectивность в данной области проверено испытаниями'. A small schematic shows D1 tripping before D2.</p>	Full selectivity	<p>The graph shows two curves for devices C1 and C2. The x-axis is current (I) and the y-axis is time (t). A shaded region between the curves is labeled 'Selectивность в данной области проверено испытаниями'. A small schematic shows C2 tripping before C1.</p>
Temporal selectivity	<p>The graph shows two curves for devices D2 and D1. The x-axis is current (I) and the y-axis is time (t). Vertical dashed lines mark currents I_{r2}, I_{r1}, I_{sd2}, and I_{sd1}. A shaded region between the curves is labeled 'Selectивность в данной области проверено испытаниями'. A small schematic shows D1 tripping before D2.</p>	Partial selectivity	<p>The graph shows two curves for devices D1 and D2. The x-axis is current (I) and the y-axis is time (t). A shaded region between the curves is labeled 'Selectивность в данной области проверено испытаниями'. A small schematic shows D2 tripping before D1. Below the graph, a horizontal axis shows current (I) with points I_{r2}, I_{r1}, I_{sd2}, and I_{sd1}. A shaded region between I_{sd2} and I_{sd1} is labeled 'Отключается только D2'. A region to the right is labeled 'Отключается D1 и D2'.</p>

Table 2 allows you to understand in which case, namely, at what level of power supply, it is advisable to apply a particular type of selectivity. In addition, the types of selectivity (current or time) require design implementations in the device of the protective device, which affects its cost.

At the same time, it is necessary to distinguish between the concepts of "protection coordination" and "selectivity", since these concepts are not synonymous [11] (Fig. 3).

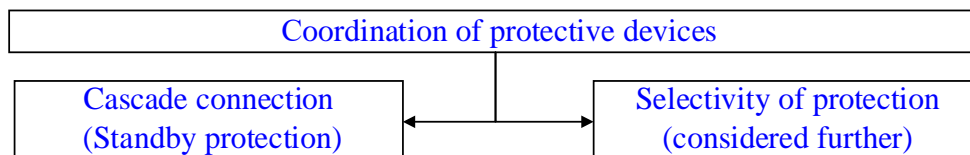


Figure 3: Structuring the concept of “coordination of protective devices”.

To ensure current selectivity, it is necessary to select automatic switches of different ratings and / or characteristics. There is no time selectivity in the case of modular automatic breakers, in which the shutdown time is normalized and not regulated (it is not possible structurally). Therefore, we can not "move" the characteristics of automatic breakers up (along the time axis), but we can "move" the VTC AB only along the current axis, and discretely (that is, separate current values, normalized by GOST), selecting the automatic breaker according to Table 4. Taking into account all the above, we get selectivity, called full and current [12-15].

At the power supply level of 0.4 kV, namely, for consumers with increased requirements for the reliability of their power supply, the primary issue is the correct coordination of protections and the unambiguous distribution of the time-current characteristics of the devices. That is, it is necessary that the condition of "full selectivity" is strictly fulfilled.

4 Result and Discussion

Let's consider an example of choosing modular automatic breakers installed on a DIN rail according to the condition of full selectivity. Let us say we have an electrical circuit as in Figure 4.

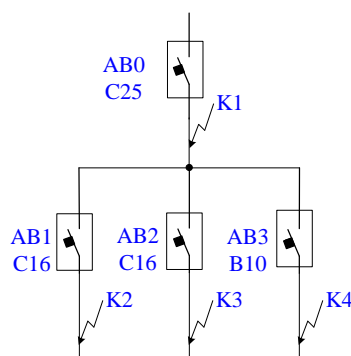


Figure 4: The scheme in question

1. Check the selectivity of AB0 and AB1 (At the short circuit at the point K2, K3). 1. It is necessary to determine the response intervals:

$$I_{AB1_Low} \leq I_{AB1} \leq I_{AB1_High}, \quad I_{AB0_Low} \leq I_{AB0} \leq I_{AB0_High},$$

$$5 \times I_{nom} \leq I_{AB1(C)} \leq 10 \times I_{nom}, \quad 5 \times I_{nom} \leq I_{AB0(C)} \leq 10 \times I_{nom},$$

$$5 \times 16 \leq I_{C16} \leq 10 \times 16, A, \quad 5 \times 25 \leq I_{C25} \leq 10 \times 25, A,$$

$$80 \leq I_{C16} \leq 160, A, \quad 125 \leq I_{C25} \leq 250, A.$$

2. It is necessary to determine the presence/absence of intersections of the AB response intervals:

$$I_{AB1_High} < I_{AB0_Low},$$

$$160 < 125, A\text{-condition is not met.}$$

1. Check the selectivity of AB0 and AB4 (At the short circuit at point K4). 1. It is necessary to determine the response intervals.

$$I_{AB3_Low} \leq I_{AB3} \leq I_{AB3_High}, \quad I_{AB0_Low} \leq I_{AB0} \leq I_{AB0_High},$$

$$3 \times I_{nom} \leq I_{AB3(C)} \leq 5 \times I_{nom}, \quad 5 \times I_{HOM} \leq I_{AB0(C)} \leq 10 \times I_{HOM},$$

$$3 \times 10 \leq I_{B10} \leq 5 \times 10, A, \quad 5 \times 25 \leq I_{C25} \leq 10 \times 25, A,$$

$$30 \leq I_{B10} \leq 50, A, \quad 125 \leq I_{C25} \leq 250, A.$$

2. It is necessary to determine the presence/absence of intersections of the AB response intervals

$$I_{AB3_High} < I_{AB0_Low},$$

$$50 < 125, A\text{-condition is met.}$$

Based on the fulfillment/non-fulfillment of the inequalities, it can be concluded that the automatic automatic breakers on the branches are selectively triggered (Table 3).

Table 3: Results of checking the scheme under the condition of “full selectivity”

Name of the AB	Characteristic and nominal value	Higher-level AB	Characteristic and nominal value	Selectivity condition
AB1	C16	AB0	C25	not executed
AB2	C16	AB0	C25	not executed
AB3	B10	AB0	C25	in progress

As a result of the work done, a table was compiled, on the basis of which it is possible to select the automatic switch according to the condition of complete selectivity (Table 4).

Table 4: Selection of the automatic breaker according to the condition of full selectivity

Possible AB's on branches (lower-level AB)	Rated value and characteristic of the head section circuit breaker (higher-level AB)										Possible AB's on branches (lower-level AB)	Rated value and characteristic of the head section circuit breaker (higher-level AB)										
	C											D										
	16	20	25	32	40	50	63	80	100	16		20	25	32	40	50	63	80	100			
C	6	+	+	+	+	+	+	+	+	+	D	6	+	+	+	+	+	+	+	+	+	
	8	-	+	+	+	+	+	+	+	+		8	-	+	+	+	+	+	+	+	+	
	10	-	-	+	+	+	+	+	+	+		10	-	-	+	+	+	+	+	+	+	
	13	-	-	-	+	+	+	+	+	+		13	-	-	-	+	+	+	+	+	+	
	16	-	-	-	-	+	+	+	+	+		16	-	-	-	-	+	+	+	+	+	
	20	-	-	-	-	-	+	+	+	+		20	-	-	-	-	-	+	+	+	+	
	25	-	-	-	-	-	-	+	+	+		25	-	-	-	-	-	-	+	+	+	
	32	-	-	-	-	-	-	-	+	+		32	-	-	-	-	-	-	-	+	+	
	40	-	-	-	-	-	-	-	-	+		40	-	-	-	-	-	-	-	-	+	
	50	-	-	-	-	-	-	-	-	-		50	-	-	-	-	-	-	-	-	-	
C											D											
16 20 25 32 40 50 63 80 100											16 20 25 32 40 50 63 80 100											
B (Z)	10	+	+	+	+	+	+	+	+	+	B	25	+	+	+	+	+	+	+	+	+	
	16	-	+	+	+	+	+	+	+	+		32	-	+	+	+	+	+	+	+	+	
	20	-	-	+	+	+	+	+	+	+		40	-	-	+	+	+	+	+	+	+	
	25	-	-	-	+	+	+	+	+	+		50	-	-	-	+	+	+	+	+	+	
	32	-	-	-	-	+	+	+	+	+		63	-	-	-	+	+	+	+	+	+	
	40	-	-	-	-	-	+	+	+	+		80	-	-	-	-	-	+	+	+	+	
	50	-	-	-	-	-	-	+	+	+		100	-	-	-	-	-	-	+	+	+	
	63	-	-	-	-	-	-	-	+	+		125	-	-	-	-	-	-	+	+	+	
	80	-	-	-	-	-	-	-	-	+		C										
	100	-	-	-	-	-	-	-	-	-		16 20 25 32 40 50 63 80 100										
C											K											
16 20 25 32 40 50 63 80 100											4 6 8 10 13 16 20 25 32 40											
D	3	+	+	+	+	+	+	+	+	+	K	4	+	+	+	+	+	+	+	+	+	
	4	-	+	+	+	+	+	+	+	+		6	-	+	+	+	+	+	+	+	+	
	6	-	-	+	+	+	+	+	+	+		8	-	-	+	+	+	+	+	+	+	
	8	-	-	-	-	+	+	+	+	+		10	-	-	-	+	+	+	+	+	+	
	10	-	-	-	-	-	+	+	+	+		13	-	-	-	-	+	+	+	+	+	
	13	-	-	-	-	-	-	+	+	+		16	-	-	-	-	-	+	+	+	+	
	16	-	-	-	-	-	-	-	+	+		20	-	-	-	-	-	-	+	+	+	
	20	-	-	-	-	-	-	-	-	+		25	-	-	-	-	-	-	-	+	+	
										32	-	-	-	-	-	-	-	-	+			
										40	-	-	-	-	-	-	-	-	-			

5 Conclusion

This work has created a table that would allow the selection of automatic breakers that are suitable for the conditions of full selectivity. Using the detailed table, you can select such AB on the branches so that the AB selectivity condition is met. Ensuring the condition of full selectivity will allow achieving continuity of power supply on the remaining branches in the event of a short circuit on the branch under consideration. From [10], a sufficient condition for choosing a device on the head section of the distribution network is a large switching capacity. Undoubtedly, the condition must be met given the manufacturer provides reliable data on the operation characteristics of the automatic breaker. From the provided characteristics, you can make an "overlay" of the time-current characteristics on one coordinate axis and look at the condition for performing "full selectivity". The characteristic usually does not affect the choice. It is important to meet the condition of "full selectivity".

6 Availability of Data And Material

Data can be made available by contacting the corresponding author.

7 References

- Asberg. (2021). *S201 Z20 automatic breaker 1-pole 20A 6kA (har-ka Z) ABB*. https://www.asberg.ru/shop/avtomaticheskie_vyklyuchateli/avtomaticheskie_vyklyuchateli_modulnye/2cds251001r0488 Accessed January 2021.
- Kabel. (2021). *Image of the automatic switch iC60L 2P 32A Z Schneider Electric A9F92232*. <https://lipetsk.cable.ru/low-voltage/schneider-electric-avtomaticheskii-viklyuchatel-ic60l-2p-32a-z.php> Accessed January 2021.
- GOST. (2011). *Small-sized electrical equipment Automatic automatic breakers for protection against overcurrents for domestic and similar purposes. Part 1. Automatic switches for alternating current*. GOST R 50345-2010 (IEC 60898-1: 2003), Moscow: Standartinform.
- Pulsal. (2021). *Pulsar Technical Catalog. Modular devices for installation on a DIN-rail*. https://pulsal.ru/download/ABB/ABB_System_Pro_M_2016_PART2.pdf Accessed January 2021.
- Elprom-st. (2021). *ABB Technical Catalog*. http://www.elprom-st.ru/uploads/Products/product_489/primenenie__katalog.pdf Accessed January 2021.
- Usenko, K. A. (2021). *Characteristics of automatic automatic breakers operation*. <http://electromaster.pro/harakteristiki-avtomatov.php> Accessed January 2021.
- Electricremont. (2021). *Multiplicity of automatic breakers. Time current characteristics of automatic automatic breakers. Characteristics of switches and their groups*. <https://electricremont.ru/kratnost-avtomaticheskikh-vyklyuchatelej.html> Accessed January 2021.
- Guryanov, O. V. (2021). *Characteristics of automatic automatic breakers*. http://electro.narod.ru/information/automat_type.htm Accessed January 2021.
- Vivaset. (2021). *ABB Single-pole automatic breaker*. https://vivaset.ru/avtomatika/avtomaticheskie-vyklyuchateli/brand-abb/soles_number-1p Accessed January 2021.
- GOST. (2021). *Low-voltage distribution and control equipment automatic breakers*. GOST R 50030.2 — 2010 (IEC 60947-2: 2006), Moscow: Standartinform
- Schneider. (2021). *Technical collection of Schneider Electric: Coordination of low-voltage protection*. Issue 4, Schneider Electric. <http://www.pro-schneider.ru/content/files/121.pdf> Accessed January 2021.
- Frolov, V. Y. (2021). Imitating model of a microprocessor trip unit of a automatic breaker. *2017 IEEE Russia section young researchers in electrical and electronic engineering conference, Elconrus*, (1), 838-840.
- Tsyruk, S. A. (2018) Determination of source fault using fast acting automatic transfer switch. *12th international scientific and technical conference "dynamics of systems mechanisms and machines", Dynamics 2018*. 860-864.
- Ilyushin, P. (2019). Operation of automatic transfer switches in the networks with distributed generation. *2019 IEEE Milan Powertech*. 881-885.
- Bekirov, E. A. (2019). Development of the automatic switch for electric power transmission in the general. *International multi-conference on industrial engineering and modern technologies, Fareastcon 2019*, 893-897.



Pronin Mikhail Anatolyevich is an Master's degree student of the Department of Electric Power Supply of Industrial Enterprises and Electrotechnologies of Moscow Power Engineering Institute, Moscow, RUSSIA. He received a bachelor's degree in electrical equipment and electrical facilities of enterprises, organizations and institutions in the field of training «electric power and electrical engineering» from the Lipetsk State Technical University, Lipetsk, RUSSIA. Research interests-research in the field of current limiting, business process modeling, design of power supply systems.



Churkina Ekaterina Viktorovna is a Senior Lecturer of the Department of Electrical Equipment of Lipetsk State Technical University, Lipetsk, RUSSIA. She received her Master of Science in Engineering and Technology in Electrical Engineering, Electromechanics and Electrotechnology from Lipetsk State Technical University, Lipetsk, RUSSIA. Research interests - improving the efficiency of power supply systems.



Rychkov Anton Vladimirovich is a Assistant of the Department of Electrical Equipment of Lipetsk State Technical University, Lipetsk, RUSSIA. He received his Master's qualifications in Electrical Power and Electrical Engineering and a Research Lecturer in Electrical and Heat Engineering at Lipetsk State Technical University, Lipetsk, RUSSIA. Research interests - electric power industry, power supply, reactive power compensation, railway transport power supply system, the use of wireless technologies in the power industry.